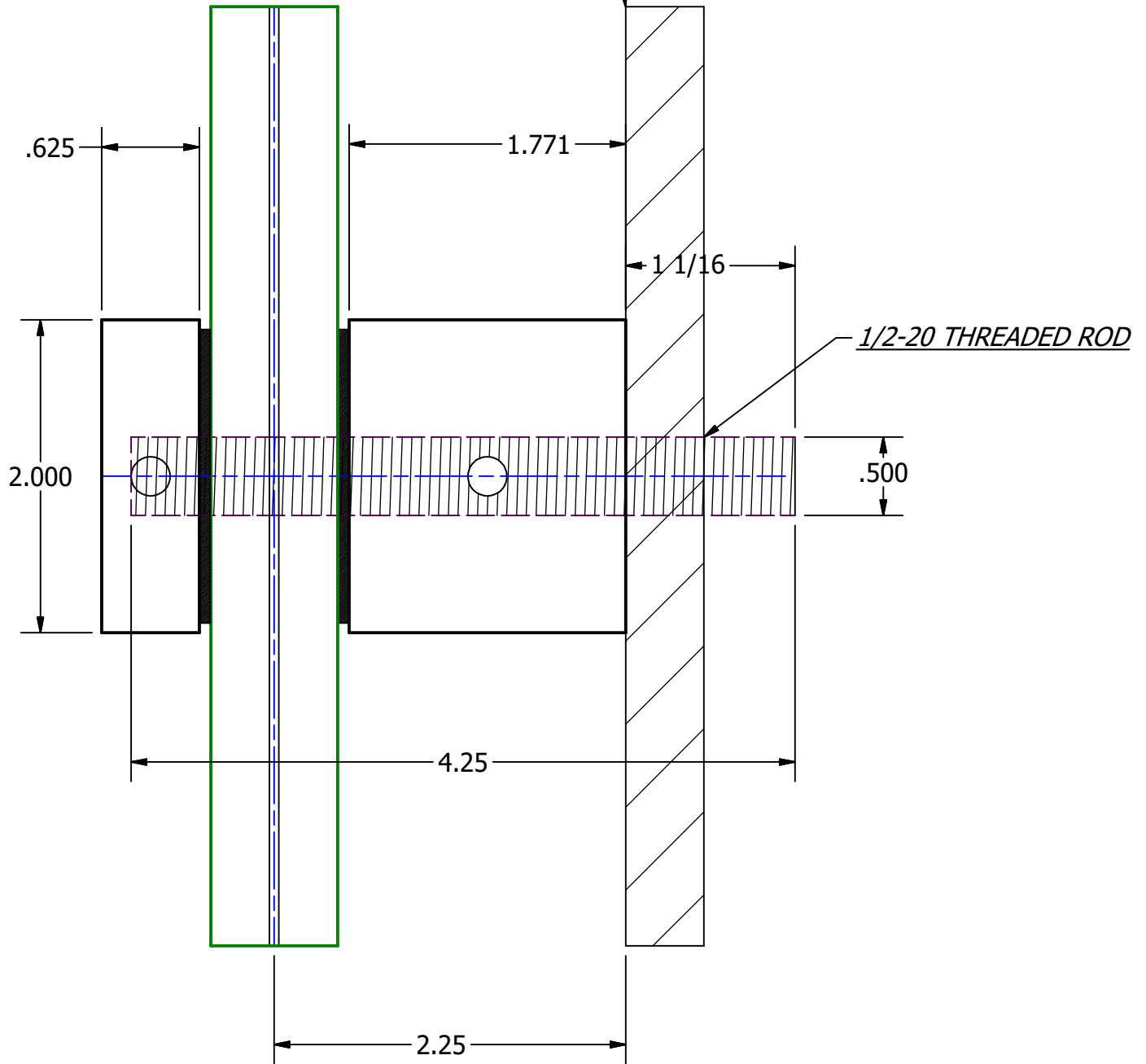


MINIMUM 1/4" STEEL THICKNESS REQUIRED



X=

0 SETS TOTAL

PAGE NO.

1 OF **3**

Date 05-21-24

Hollaender[®]
STRUCTURAL ENGINEERING GROUP
10285 WAYNE AVENUE
CINCINNATI, OH 45215-6399
PHONE: (800) 772-8800 FAX: (800) 772-8806
WWW.HOLLAENDER.COM

Standard Glass
Button Detail

REF:

637105