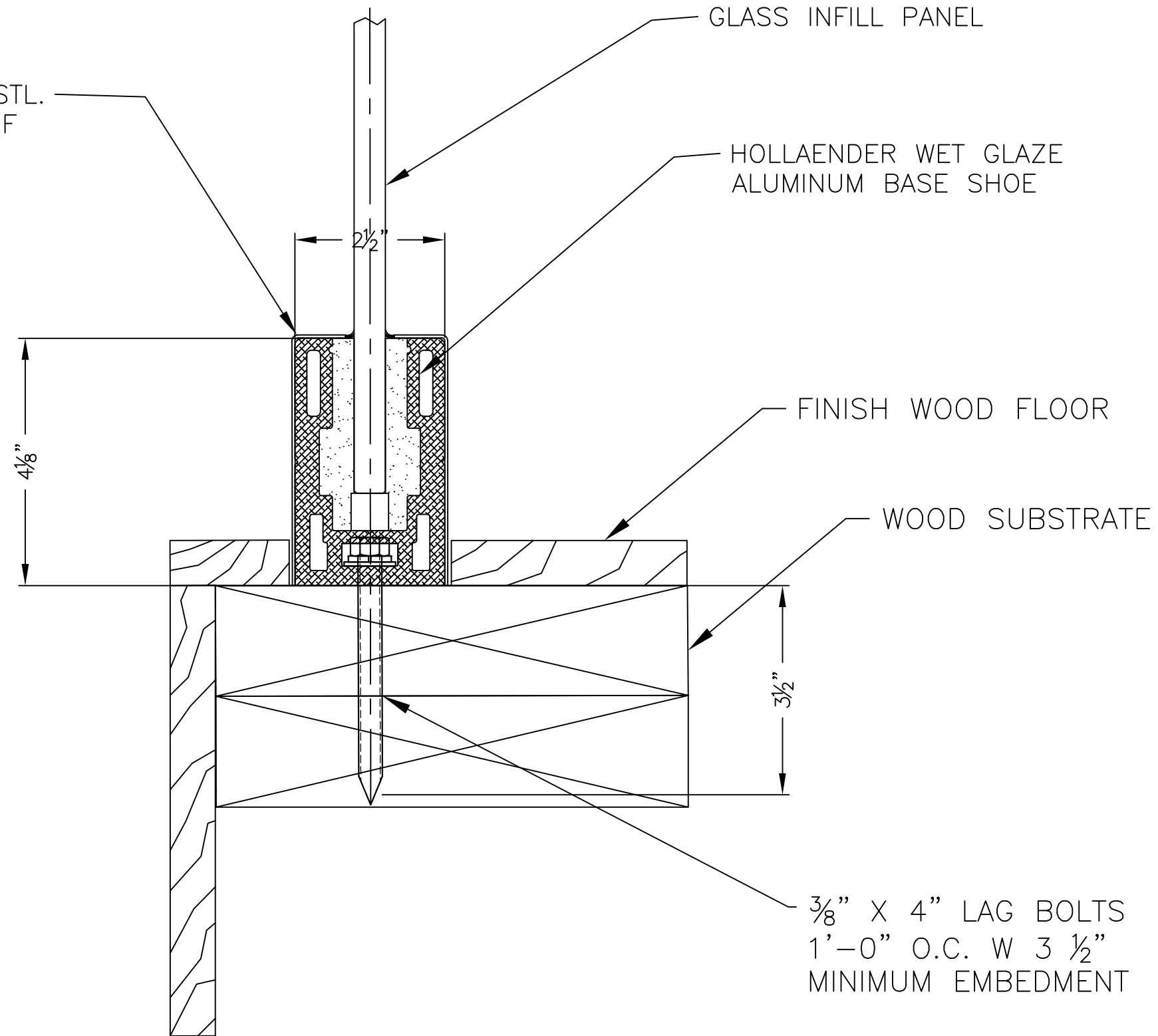


CONTINUOUS ALUM. OR ST.STL.
CLADDING @ BOTH SIDES OF
BASE SHOE



Hollaender®

STRUCTURAL ENGINEERING GROUP

10285 WAYNE AVENUE

CINCINNATI, OH 45215-6399

PHONE: (800) 772-8800 FAX: (800) 772-8806

WWW.HOLLAENDER.COM

WET GLAZE BASE SHOE
TOP MOUNTED TO WOOD RAMP