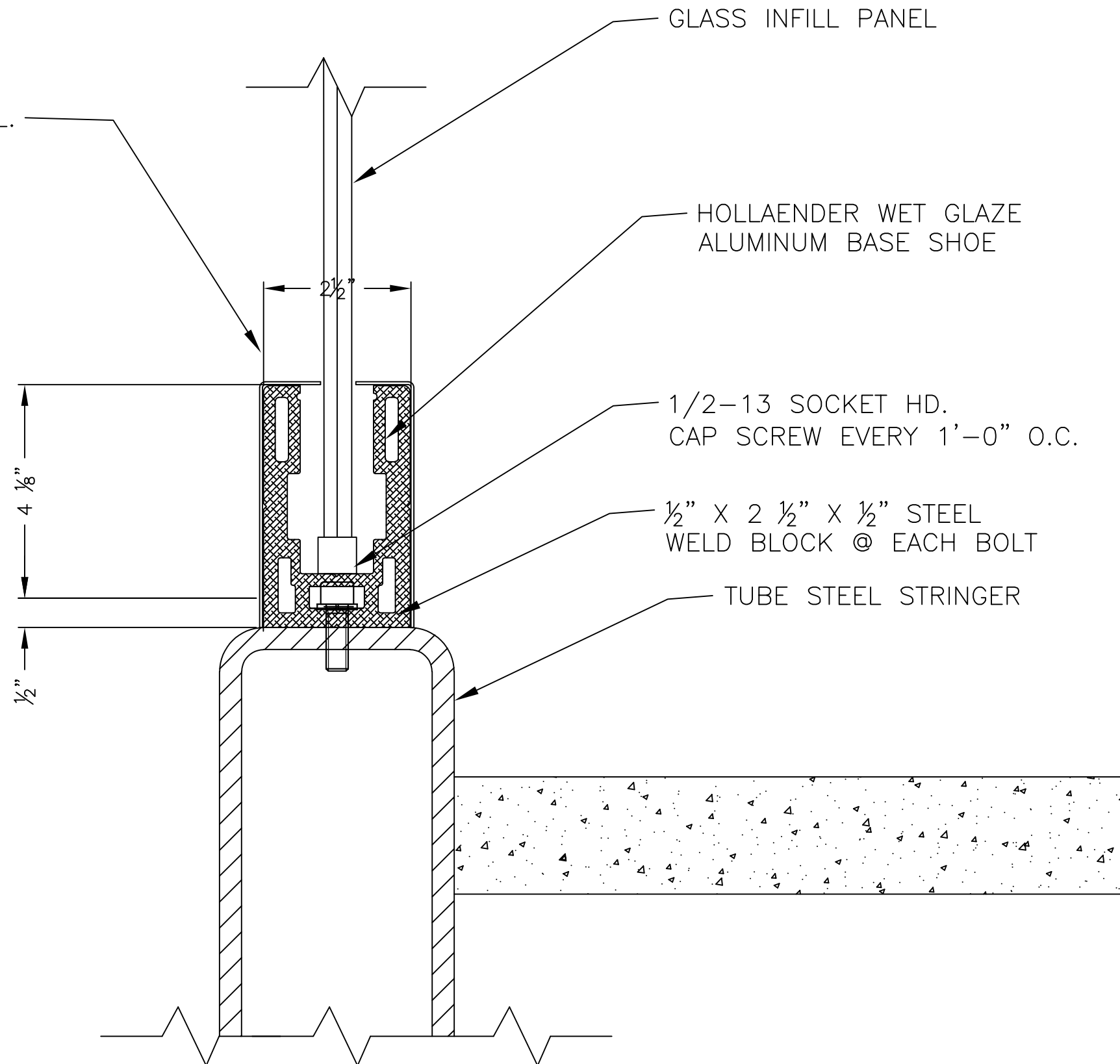


CONTINUOUS ALUM. OR ST.STL.  
CLADDING @ BOTH SIDES OF  
BASE SHOE



**Hollaender**<sup>®</sup>

STRUCTURAL ENGINEERING GROUP

10285 WAYNE AVENUE  
CINCINNATI, OH 45215-6399

PHONE: (800) 772-8800 FAX: (800) 772-8806  
WWW.HOLLAENDER.COM

**WET GLAZE BASE SHOE TOP MOUNTED**  
**DRILL & TAP TO TUBE STRINGER**